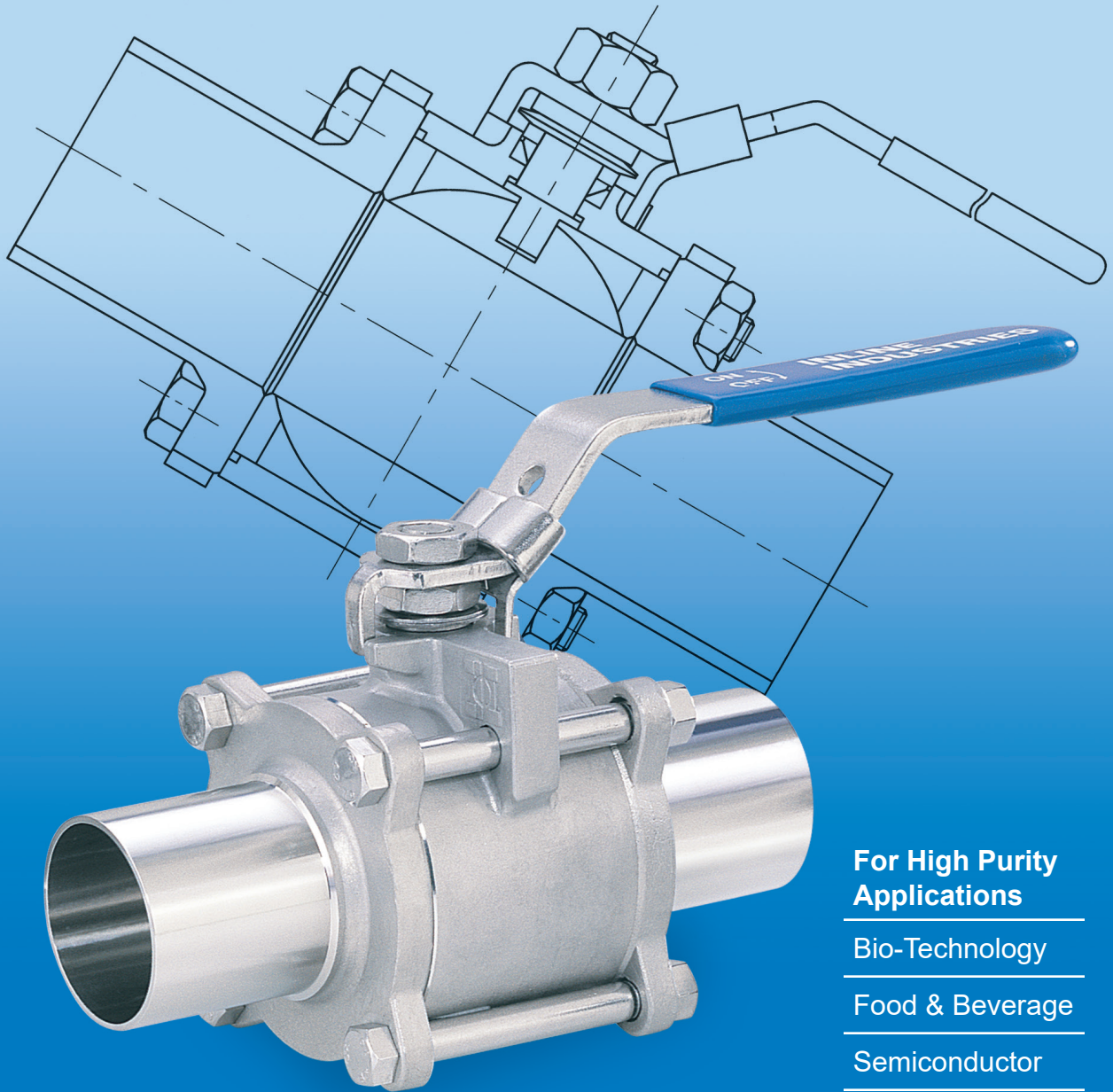


317F Sanitary Ball Valve

3-Piece Tube Full Port



**For High Purity
Applications**

Bio-Technology

Food & Beverage

Semiconductor

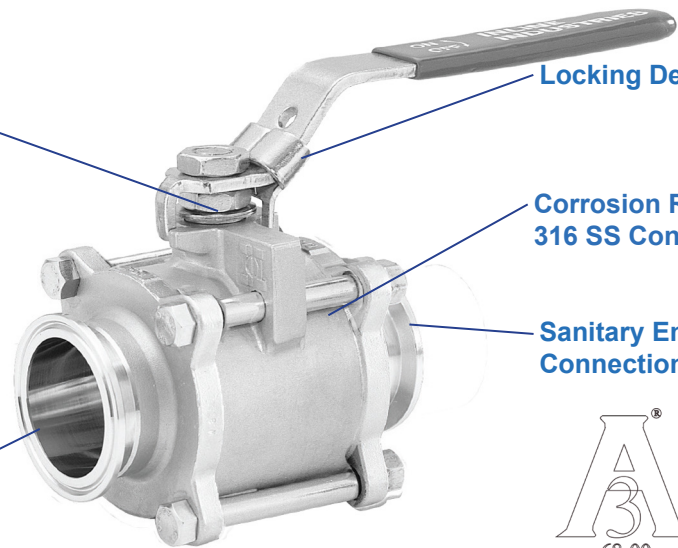
Cosmetic

The 317F Series Sanitary Ball Valve

The 317F series combines tube full port construction with a variety of sanitary end connections to deliver outstanding performance in high purity applications. The valve's uniform bore diameter and polished internal surfaces improve flow characteristics and eliminate pooling of potential contaminants.

High-Cycle,
Live-Loaded
Stem Packing

Tube Full Port



Locking Device

Corrosion Resistant
316 SS Construction

Sanitary End
Connections



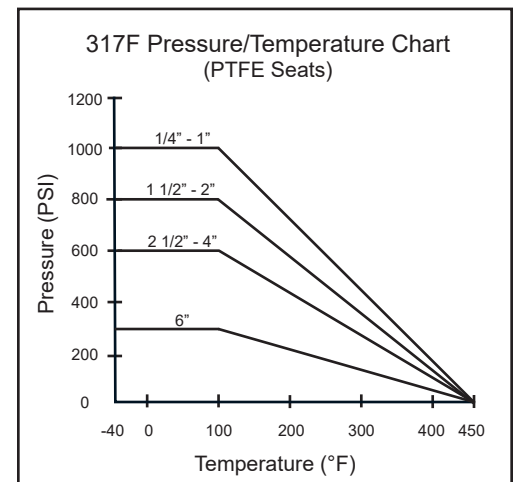
(Option Available)

Standard Features and Benefits

- **Tube Full Port Design**
True tube full port construction eliminates pooling of process media and improves flow characteristics for greater efficiency
- **High-Cycle, Live-Loaded Stem Packing**
Ensures tight stem seal and extends service life
- **3-Piece Swing-in-Place Construction**
Provides easy access for in-line maintenance and repair
- **Made of Corrosion-Resistant 316 SS (A-351 Gr. CF8M) with 316L SS (A351 Gr. CF3M) Weld Ends**
One valve can be used for many service conditions
- **Blow-Out-Proof Stem**
Bottom loaded stem prevents removal when valve is in service
- **Investment Cast**
Improves dimensional control and reduces porosity
- **Locking Device**
Enables plant personnel to secure valve in open or closed position when manually operated
- **25 Ra Internal Surface Finish**

Options

- **Clamp, Tube Butt Weld, Ext. Tube Butt Weld, Compression, Flange, NPT, I-Line, Tank Bottom Ends Available**
- **Polish and Electropolish to Customer's Specification**
- **Cavity Filled Seats**
- **Full 3A Compliance: 3A 68-00 Cavity Filled Construction, Marking, and Documentation**
- **Material Test Reports Available Upon Request**

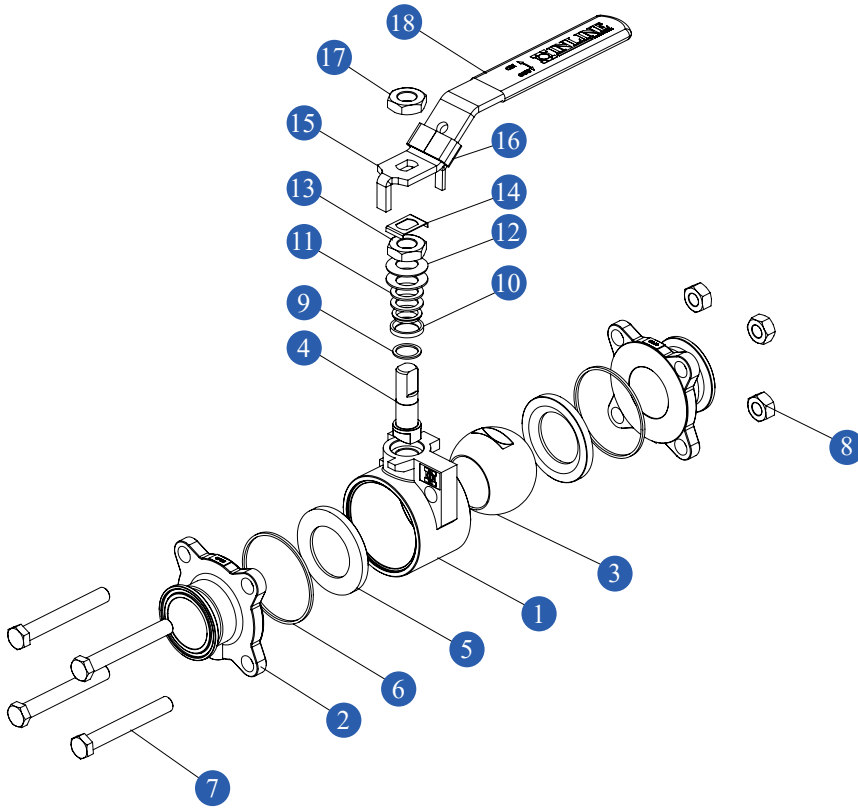


Operating Conditions

- **Temperature Range (PTFE):**
-40°F ~ 450°F
- **Maximum Pressure (PTFE):**
1000 PSI (1/4" - 1")
800 PSI (1 1/2" - 2")
600 PSI (2 1/2" - 4")
300 PSI (6")

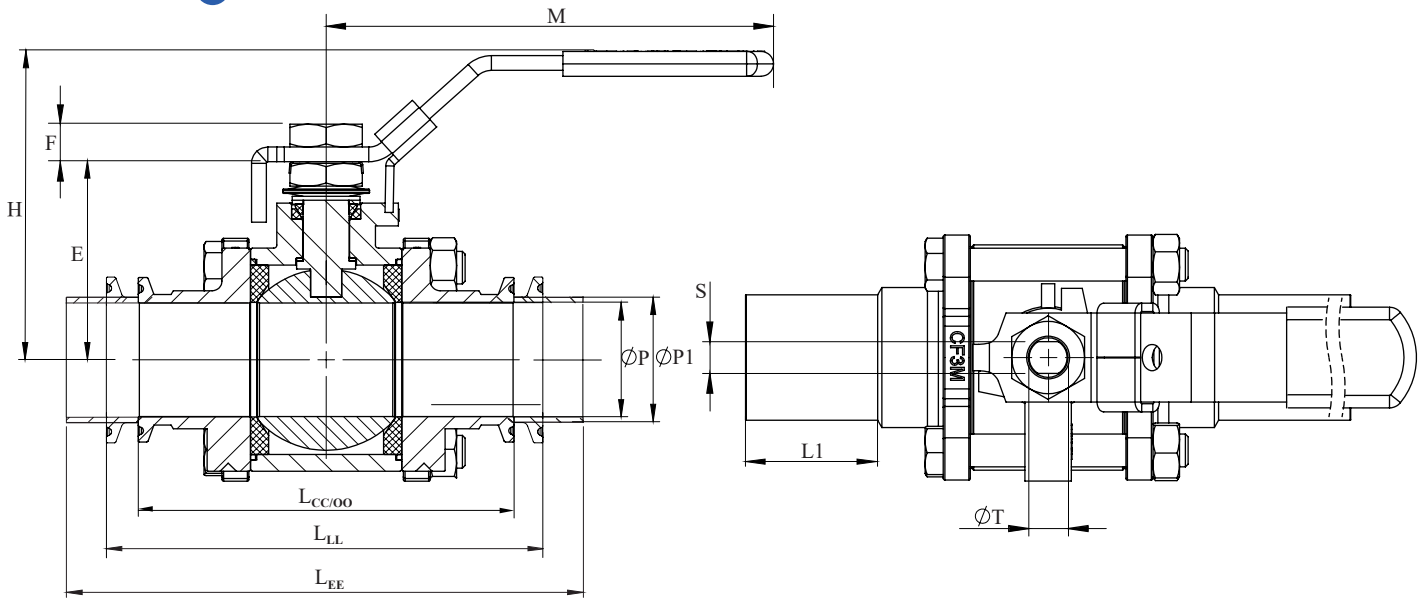
Specifications

- Valves inspected and tested to API 598 and meet ANSI/FCI70-2 Class VI and MSS SP-61 seat leakage requirements
All materials comply with applicable
- ASTM material specifications, FDA, USDA and ASME BPE material requirements
All soft wetted parts comply with FDA CFR Title 21 Part 177



Valve Components			
No.	Part Name	Material	Qty
1	Body	CF8M	1
2	End Cap	CF8M	2
3	Ball	316 SS	1
4	Stem	316 SS	1
5	Seat	PTFE	2
6	Body Seal	PTFE	2
7	Body Bolt	304 SS	4*
8	Body Nut	304 SS	4*
9	Thrust Washer	PTFE	1
10	Stem Packing Set	PTFE	1
11	Packing Gland	304 SS	2
12	Belleville Washer	301 SS	2
13	Gland Nut	304 SS	1
14	Gland Nut Lock Washer	304 SS	1
15	Handle	304 SS	1
16	Handle Lock	304 SS	1
17	Handle Nut	304 SS	1
18	Handle Cover	Vinyl	1

* 6 Bolts and Nuts on 4" Valve



Dimensions (Inches)														
Size	L _{CC/OO}	L _{EE}	L _{LL}	L1	P	P1	M	H	E	F	S	T	C _v *	Weight (lbs)*
1/4"	—	4.90	—	1.57	0.18	0.25	4.4	2.1	1.17	0.28	0.20	0.31	0.9	0.7
3/8"	—	4.90	—	1.57	0.31	0.38	4.4	2.1	1.17	0.28	0.20	0.31	3.2	0.7
1/2"	3.50	4.90	—	1.57	0.37	0.50	4.4	2.1	1.17	0.28	0.20	0.31	5.4	0.8
3/4"	3.50	5.61	4.00	1.57	0.62	0.75	5.2	2.3	1.35	0.30	0.26	0.38	17.5	1.2
1"	3.50	6.40	4.50	1.57	0.87	1.00	5.7	2.8	1.77	0.32	0.31	0.46	35.7	2.4
1 1/2"	4.50	7.20	5.50	1.57	1.37	1.50	7.5	3.7	2.39	0.41	0.38	0.54	101	4.6
2"	5.00	7.60	6.25	1.80	1.87	2.00	7.5	4.0	2.70	0.45	0.38	0.54	201	7.2
2 1/2"	6.75	10.00	—	1.80	2.37	2.50	12.2	5.6	3.54	0.68	0.47	0.77	330	16.3
3"	7.76	11.00	—	1.80	2.87	3.00	12.2	5.9	3.90	0.68	0.47	0.77	503	25.0
4"	9.51	12.00	—	2.01	3.83	4.00	12.6	6.9	4.76	0.95	0.59	0.93	948	45.8

6" CAD Drawings Available Upon Request
Please contact us for additional information

C_v value represents flow data to ISA 75.01.01 - 2007
*C_v value & weights based on Ext. Weld Ends



Oxygen Cleaning
& Electropolishing



Sanitary Products



Automation
Systems

317F Ordering Information

Example: 2" Full Port Sanitary Ball Valve with Lever Handle and Locking Device, 316 SS Body and Trim, PTFE Seats and Seals, 316 SS Clamp Ends, 25 Ra Max Mechanical Polish (ID)

Valve Series	Valve Size	Body Material	End Material	Ball Material	Stem Material	Seat	Seal	End Connection	Port	Ball Config.	Surface Finish																		
317F - Full Port	2	6 - A351 Gr. CF8M (316)	6 - A351 Gr. CF8M (316)	6 - 316 SS	6 - 316 SS	T - PTFE	T - PTFE	C - Clamp (316)	2 - 2 Way	S - Straight Port	None - 25 Ra Max Mech. Polish																		
317C - Compression	3		6 - A351 Gr. CF8M (316)			3 - A351 Gr. CF3M (316L)	K - Cavity Filled PTFE	M - TFM				E - Ext. Tube O.D. Butt Weld																	
	5		6 - A351 Gr. CF8M (316)				3 - A351 Gr. CF3M (316L)	M - TFM				N - TFM 1-Piece Seat/Body Seal	O - Tube O.D. Butt Weld																
	7							6 - A351 Gr. CF8M (316)				3 - A351 Gr. CF3M (316L)	J - Cavity Filled TFM	N - TFM 1-Piece Seat/Body Seal	A - ANSI 150# (316)														
	A												6 - A351 Gr. CF8M (316)		3 - A351 Gr. CF3M (316L)	N - TFM 1-Piece Seat/Body Seal	K - Tank Bottom												
	C																6 - A351 Gr. CF8M (316)	3 - A351 Gr. CF3M (316L)	N - TFM 1-Piece Seat/Body Seal	L - Long Clamp									
	D																			6 - A351 Gr. CF8M (316)	3 - A351 Gr. CF3M (316L)	N - TFM 1-Piece Seat/Body Seal	P - Compression (316)						
	E																						6 - A351 Gr. CF8M (316)	3 - A351 Gr. CF3M (316L)	N - TFM 1-Piece Seat/Body Seal	R - I-Line			
	F																									6 - A351 Gr. CF8M (316)	3 - A351 Gr. CF3M (316L)	N - TFM 1-Piece Seat/Body Seal	T - NPT (316)
	G																												6 - A351 Gr. CF8M (316)
I	6 - A351 Gr. CF8M (316)	3 - A351 Gr. CF3M (316L)	N - TFM 1-Piece Seat/Body Seal																										

*Available in tube butt weld, extended tube weld and compression ends only

Due to continuous product development, information may change without notice.



INLINE INDUSTRIES, INC.

9056 Garvey Avenue
Rosemead, CA 91770

Tel: (800) 568-8998
(626) 813-6188

Fax: (626) 813-6186

www.ballvalve.com
info@ballvalve.com

Distributed by: